

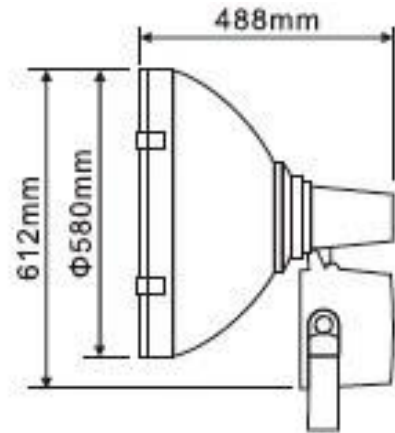
ULTRA-TECH™ LIGHTING

SNOW-BRIGHT™

SNBT-HB-300WB2 BRACKET OPTIONS



Standard U-Bracket



The Snow-Bright™ 300-Watt round has two mounting options. The standard U-Bracket is made of high tensile strength aluminum rated for sustained winds of 120mph and gusts of 150mph. It can be directly mounted onto cross-arms and used with “U” brackets. The fixture has a 300° range arc within the bracket (up and down). When secured with a single ½-inch bolt through the center hole, the lamp can be rotated 360°. When secured with side bolts, the fixture rotation is fixed.



Slip-Fitter U-Bracket

The optional Slip-Fitter U-Bracket mounts on a 2³/₈ inch talon (bullhorn) and provides maximum directional flexibility with full 360° rotation and 300° movement up and down. The bracket is made of high tensile strength steel and is rated for sustained winds of 150mph. The center hole accommodates standard wiring. Brackets come with powder-coated weather-resistant finish using non-conductive polymers.



Contact: John Jacobs – Reliable Racing Supply, Inc.
(518) 793-5676
Upper Glen St, Queensbury, NY 12804